

RS-380SH

MABUCHI MOTOR

Carbon-brush motors

OUTPUT : 0.9W~40W (APPROX)

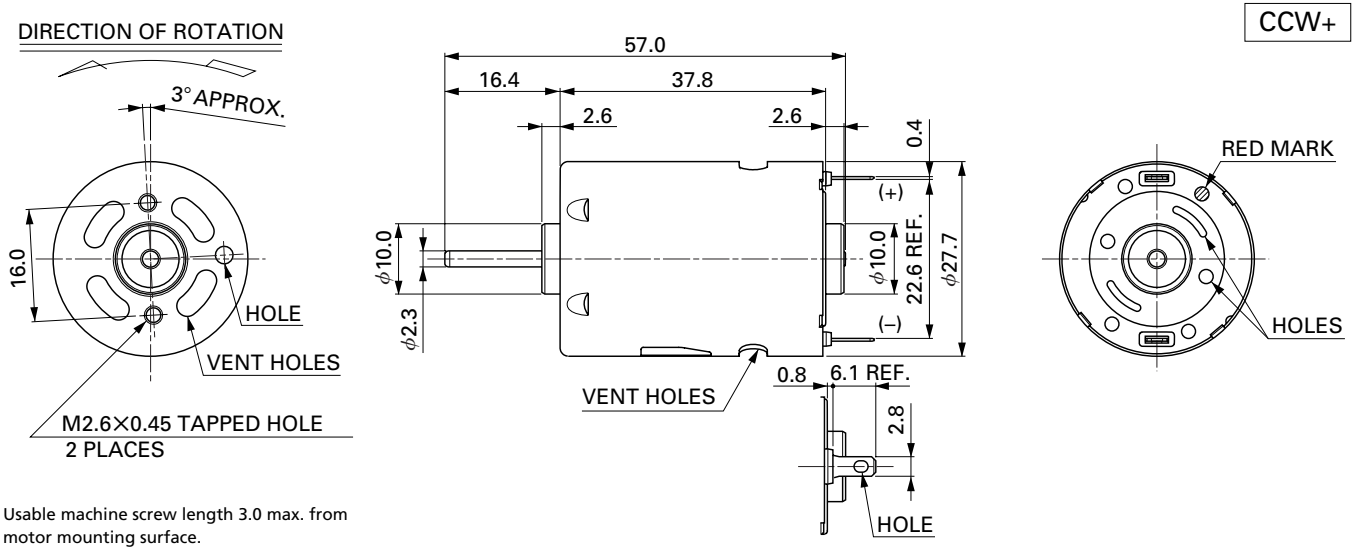
WEIGHT : 71g (APPROX)

Typical Applications Home Appliances : Vacuum Cleaner

MODEL	VOLTAGE		NO LOAD		AT MAXIMUM EFFICIENCY				STALL			
	OPERATING RANGE	NOMINAL	SPEED	CURRENT	SPEED	CURRENT	TORQUE	OUTPUT	TORQUE	CURRENT		
			r/min	A	r/min	A	mN-m	g-cm	W	mN-m	g-cm	A
RS-380SH-4535 (*1)	3~6	6V CONSTANT	18000	0.80	15220	4.38	11.7	119	18.6	75.6	771	24.0

(*1) CCW shifted commutation (CCW+)

The terminal position against the tapped holes varies depending on CW+/NEUTRAL.



Usable machine screw length 3.0 max. from motor mounting surface.

UNIT: MILLIMETERS

RS-380SH-4535 6.0V

