

RS-385PH



Carbon-brush motors

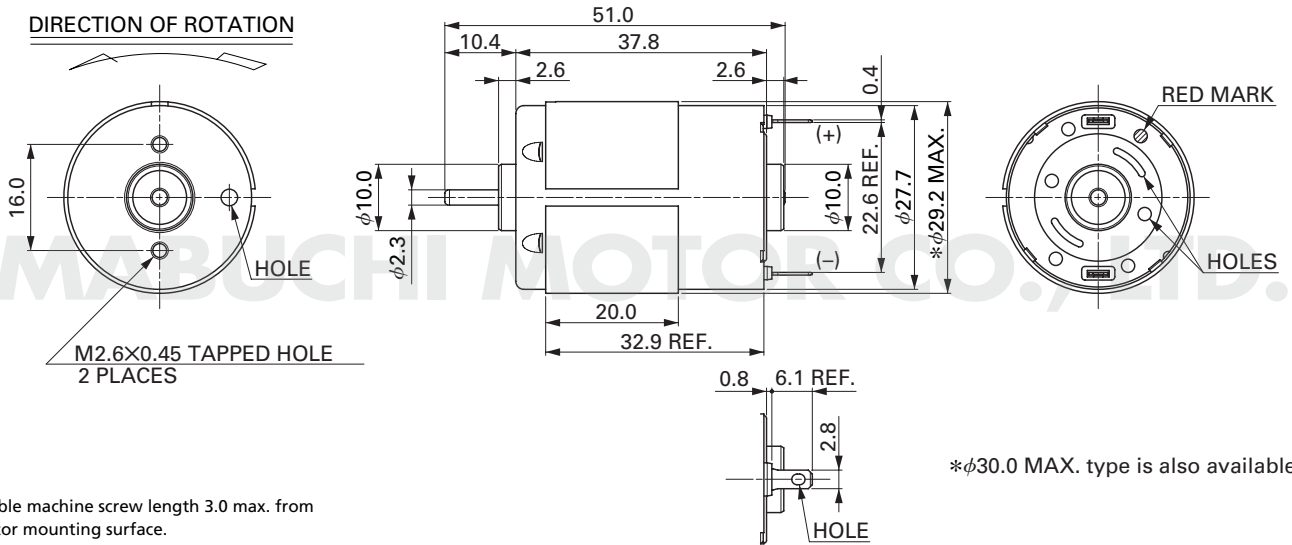
OUTPUT : 0.9W~40W (APPROX)

WEIGHT : 82g (APPROX)

Typical Applications **Automotive Products**
Home Appliances
Precision Instruments : Printer / Copy Machine / Laser Printer

MODEL	VOLTAGE		NO LOAD		AT MAXIMUM EFFICIENCY				STALL			
	OPERATING RANGE	NOMINAL	SPEED r/min	CURRENT A	SPEED r/min	CURRENT A	TORQUE mN·m	TORQUE g·cm	OUTPUT W	TORQUE mN·m	TORQUE g·cm	CURRENT A
RS-385PH-16140 (*1)	12~30	24V CONSTANT	8700	0.070	7420	0.41	8.30	84.6	6.44	56.4	575	2.35
RS-385PH-17120 (*2)	8~35	23.5V CONSTANT	8600	0.076	7430	0.48	10.1	103	7.82	73.8	752	3.05

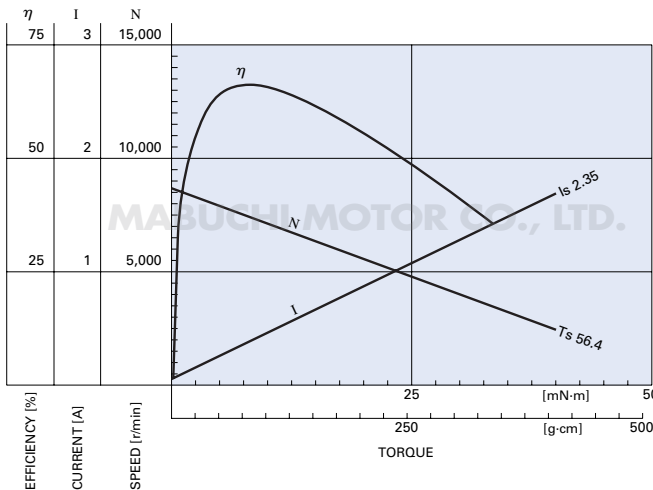
(*1) Thickness of flux yoke: 0.6t
 (*2) Thickness of flux yoke: 1.0t



Usable machine screw length 3.0 max. from motor mounting surface.

UNIT: MILLIMETERS

RS-385PH-16140 24.0V



RS-385PH-17120 23.5V

