

RS-555PC/VC



Carbon-brush motors

OUTPUT : 5.0W~90W (APPROX)

WEIGHT : 221g (APPROX)

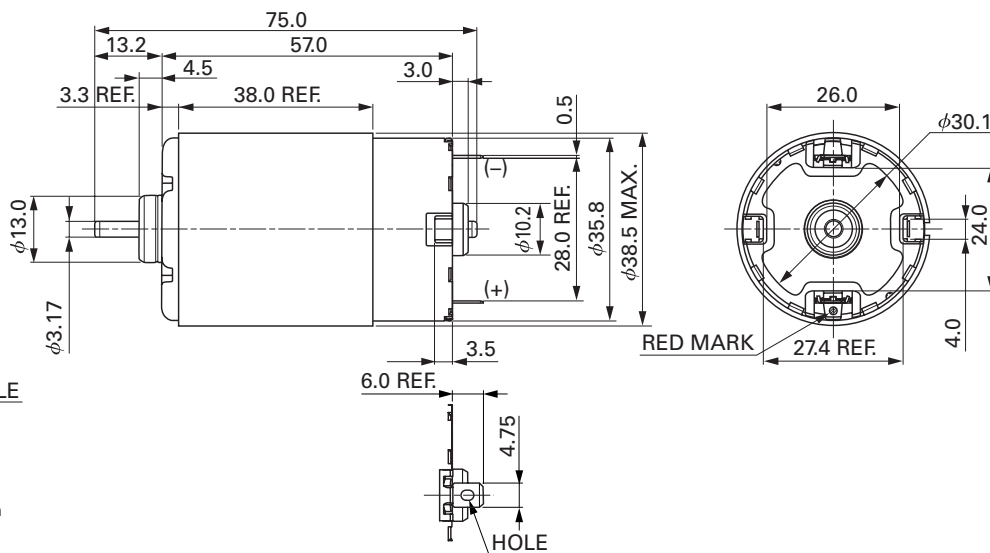
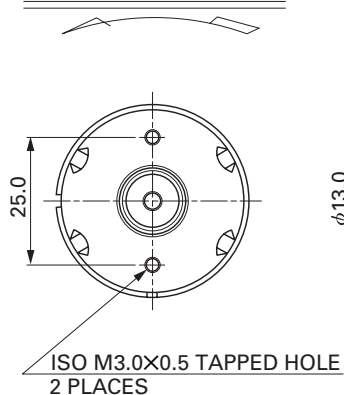
Typical Applications Automotive Products : Door Closer
Home Appliances : Massager / Vibrator
Precision Instruments : Printer

MODEL	VOLTAGE		NO LOAD		AT MAXIMUM EFFICIENCY				STALL			
	OPERATING RANGE	NOMINAL	SPEED r/min	CURRENT A	SPEED r/min	CURRENT A	TORQUE mN-m	TORQUE g-cm	OUTPUT W	TORQUE mN-m	TORQUE g-cm	CURRENT A
RS-555PC-3550	9~30	12V CONSTANT	4800	0.17	4240	1.30	25.6	261	11.4	221	2253	9.90
RS-555PC-2798	12~24	*18V CONSTANT	3700	0.080	3250	0.58	22.4	229	7.62	185	1886	4.20
RS-555VC-3754	(*1) 12~32	12V CONSTANT	4100	0.20	3610	1.48	34.8	355	13.1	292	2977	10.9

*This operating voltage indicates the average or r.m.s. in case of pulse-width modulation (PWM) power supply. Besides, as withstand voltage, 1800V for one second can not be guaranteed.

(*1) With vent holes

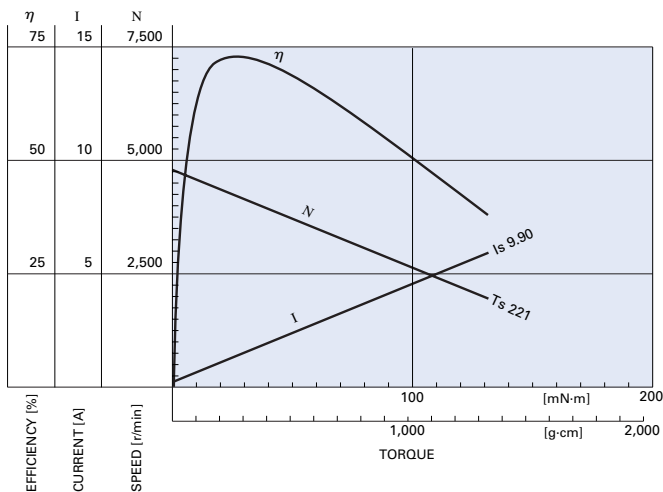
DIRECTION OF ROTATION



Usable machine screw length 4.0 max. from motor mounting surface.

UNIT: MILLIMETERS

RS-555PC-3550 12.0V



RS-555VC-3754 12.0V

