

FA-130RA

MABUCHI MOTOR

金属ブラシ

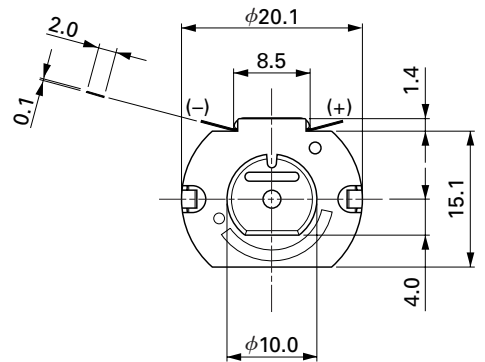
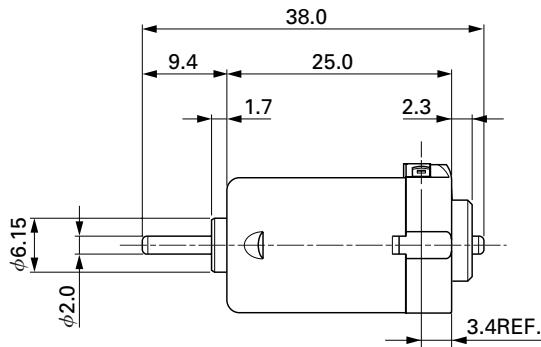
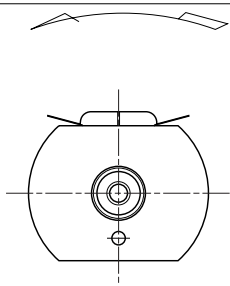
OUTPUT : 0.2W~2.5W (APPROX)

WEIGHT : 17g (APPROX)

代表的用途 家電機器: 理容品/美粧品
玩具・模型: 玩具/プラモデル

MODEL	VOLTAGE		NO LOAD		AT MAXIMUM EFFICIENCY				STALL			
	OPERATING RANGE	NOMINAL	SPEED	CURRENT	SPEED	CURRENT	TORQUE		OUTPUT	TORQUE		CURRENT
			r/min	A	r/min	A	mN-m	g-cm	W	mN-m	g-cm	A
FA-130RA-2270	1.5~3.0	1.5V CONSTANT	9100	0.20	6990	0.66	0.59	6.0	0.43	2.55	26	2.20
FA-130RA-18100	1.5~3.0	3V CONSTANT	12300	0.15	9710	0.56	0.74	7.6	0.76	3.53	36	2.10

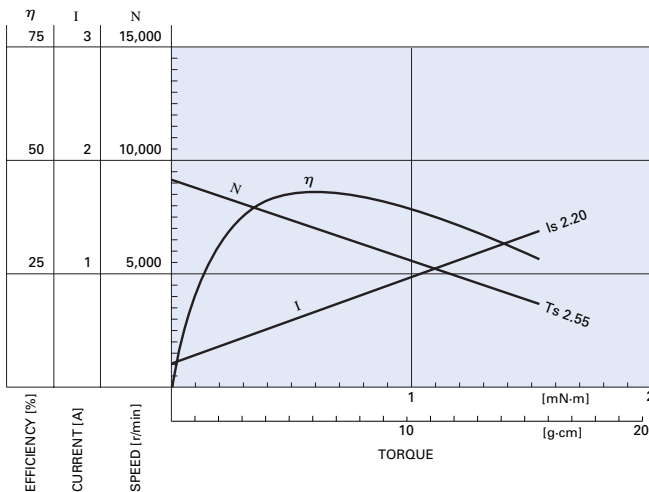
DIRECTION OF ROTATION



UNIT: MILLIMETERS

FA-130RA-2270

1.5V



FA-130RA-18100

3.0V

