

FA-130RA

OUTPUT : 0.2W ~ 2.5W (APPROX)

金属ブラシ | Metal-brush motors | 金属电刷

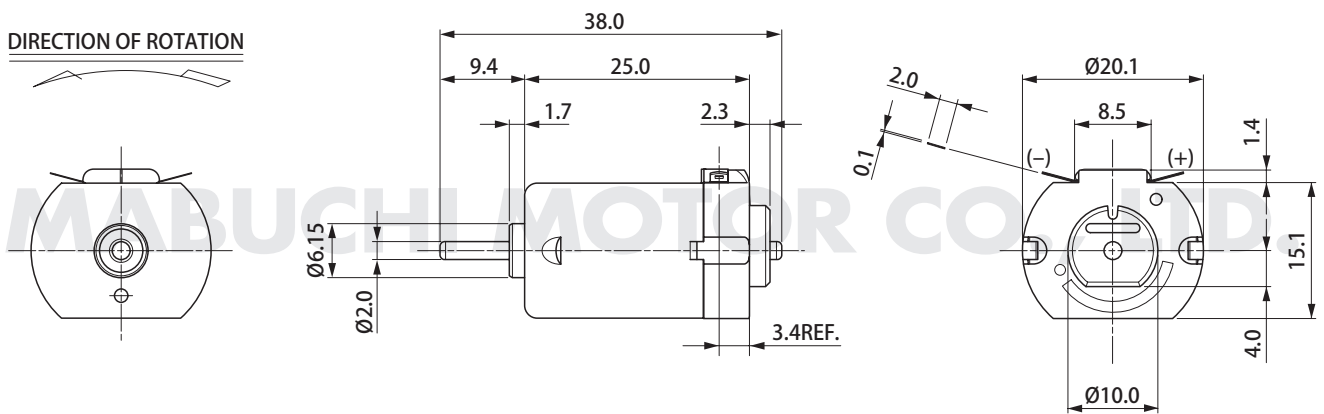
代表的用途 家電機器：理容品／化粧品
玩具・模型

Typical Applications Home Appliances : Hair Dressing / Beauty Appliance
Toys and Models

主要用途 家电机器：理发和美容品
玩具、模型

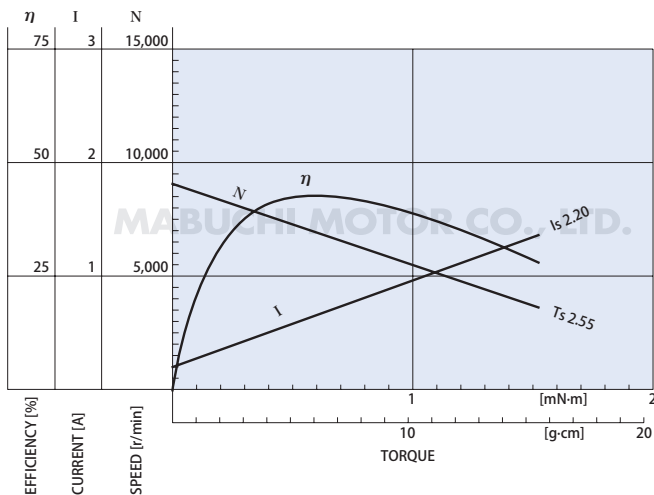
WEIGHT : 17g (APPROX)

MODEL	VOLTAGE		NO LOAD		AT MAXIMUM EFFICIENCY					STALL		
	OPERATING RANGE	NOMINAL	SPEED	CURRENT	SPEED	CURRENT	TORQUE		OUTPUT	TORQUE		CURRENT
			r/min	A	r/min	A	mN-m	g-cm	W	mN-m	g-cm	A
FA-130RA-2270	1.5~3.0	1.5V CONSTANT	9100	0.20	6990	0.66	0.59	6.0	0.43	2.55	26	2.20
FA-130RA-18100	1.5~3.0	3V CONSTANT	12300	0.15	9710	0.56	0.74	7.6	0.76	3.53	36	2.10



UNIT : MILLIMETERS

FA-130RA-2270 1.5V



FA-130RA-18100 3.0V

