

RE-140RA

OUTPUT : 0.16W ~ 3.0W (APPROX)

金属ブラシ | Metal-brush motors | 金属电刷

代表的用途 玩具・模型

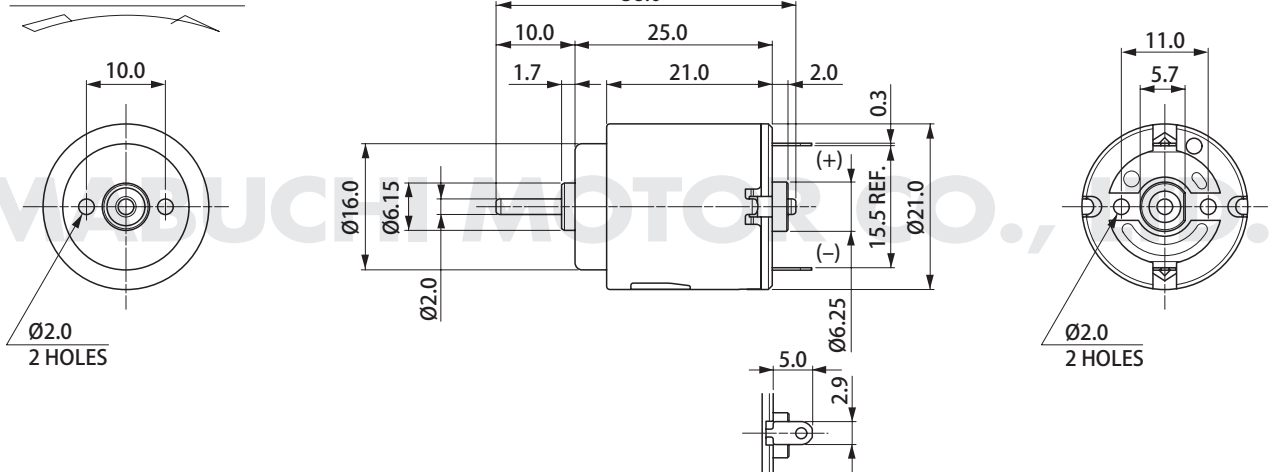
Typical Applications Toys and Models

主要用途 玩具、模型

WEIGHT : 19g (APPROX)

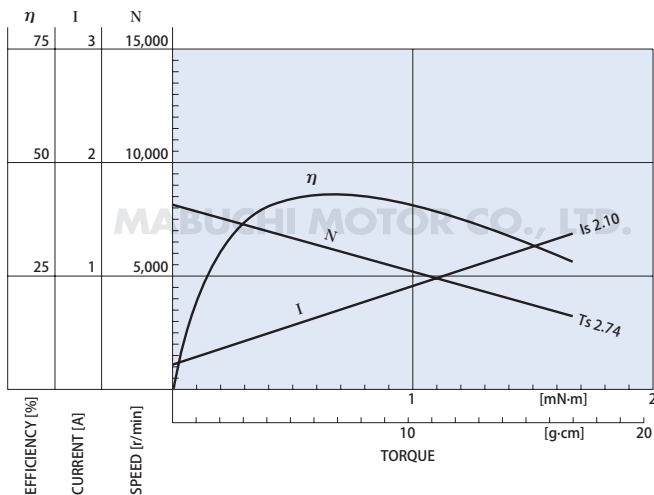
MODEL	VOLTAGE		NO LOAD		AT MAXIMUM EFFICIENCY					STALL		
	OPERATING RANGE	NOMINAL	SPEED	CURRENT	SPEED	CURRENT	TORQUE		OUTPUT	TORQUE		CURRENT
			r/min	A	r/min	A	mN·m	g·cm	W	mN·m	g·cm	A
RE-140RA-2270	1.5~3.0	1.5V CONSTANT	8100	0.21	6150	0.66	0.66	6.7	0.42	2.74	28	2.10
RE-140RA-18100	1.5~3.0	1.5V CONSTANT	5700	0.13	4230	0.37	0.48	4.9	0.21	1.86	19	1.07
RE-140RA-12240	3~6	3V CONSTANT	4800	0.050	3530	0.14	0.44	4.5	0.16	1.67	17	0.39

DIRECTION OF ROTATION



UNIT : MILLIMETERS

RE-140RA-2270 1.5V



RE-140RA-18100 1.5V

