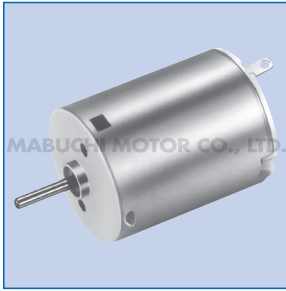


# RE-280RA/SA

OUTPUT : 0.8W ~ 4.5W (APPROX)

金属ブラシ | Metal-brush motors | 金属電刷



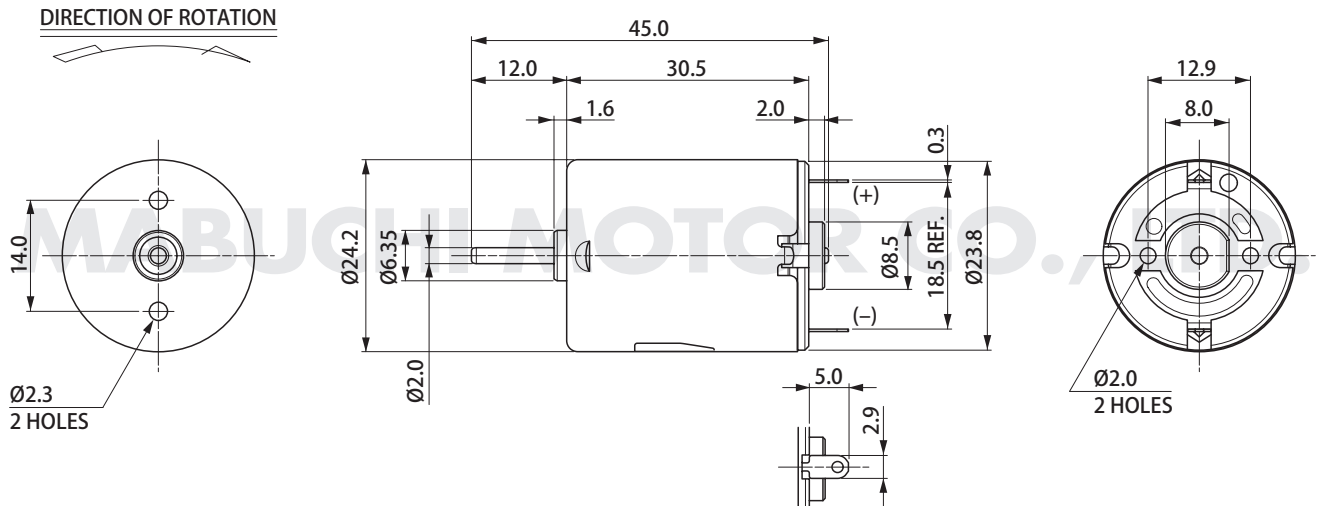
**代表的用途** 家電機器：マッサージャー／バイブレーター  
玩具・模型

**Typical Applications** Home Appliances : Massager / Vibrator  
Toys and Models

**主要用途** 家電機器：按摩棒  
玩具、模型

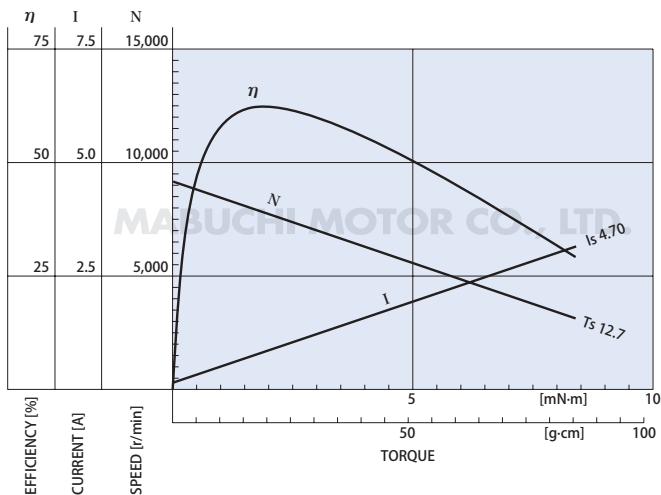
WEIGHT : 42g (APPROX)

MODEL	VOLTAGE		NO LOAD		AT MAXIMUM EFFICIENCY				STALL			
	OPERATING RANGE	NOMINAL	SPEED	CURRENT	SPEED	CURRENT	TORQUE	OUTPUT	TORQUE	CURRENT		
			r/min	A	r/min	A	mN-m	g-cm	W	mN-m	g-cm	A
RE-280RA-2865	1.5~3.0	3V CONSTANT	9200	0.16	7770	0.87	1.98	20.2	1.61	12.7	129	4.70
RE-280SA-2865	1.5~4.5	3V CONSTANT	7100	0.16	6000	0.88	2.58	26.3	1.62	16.7	170	4.80
RE-280SA-2295	3~6	6V CONSTANT	9600	0.14	8150	0.78	3.27	33.3	2.79	21.6	220	4.40



UNIT : MILLIMETERS

## RE-280RA-2865 3.0V



## RE-280SA-2865 3.0V

